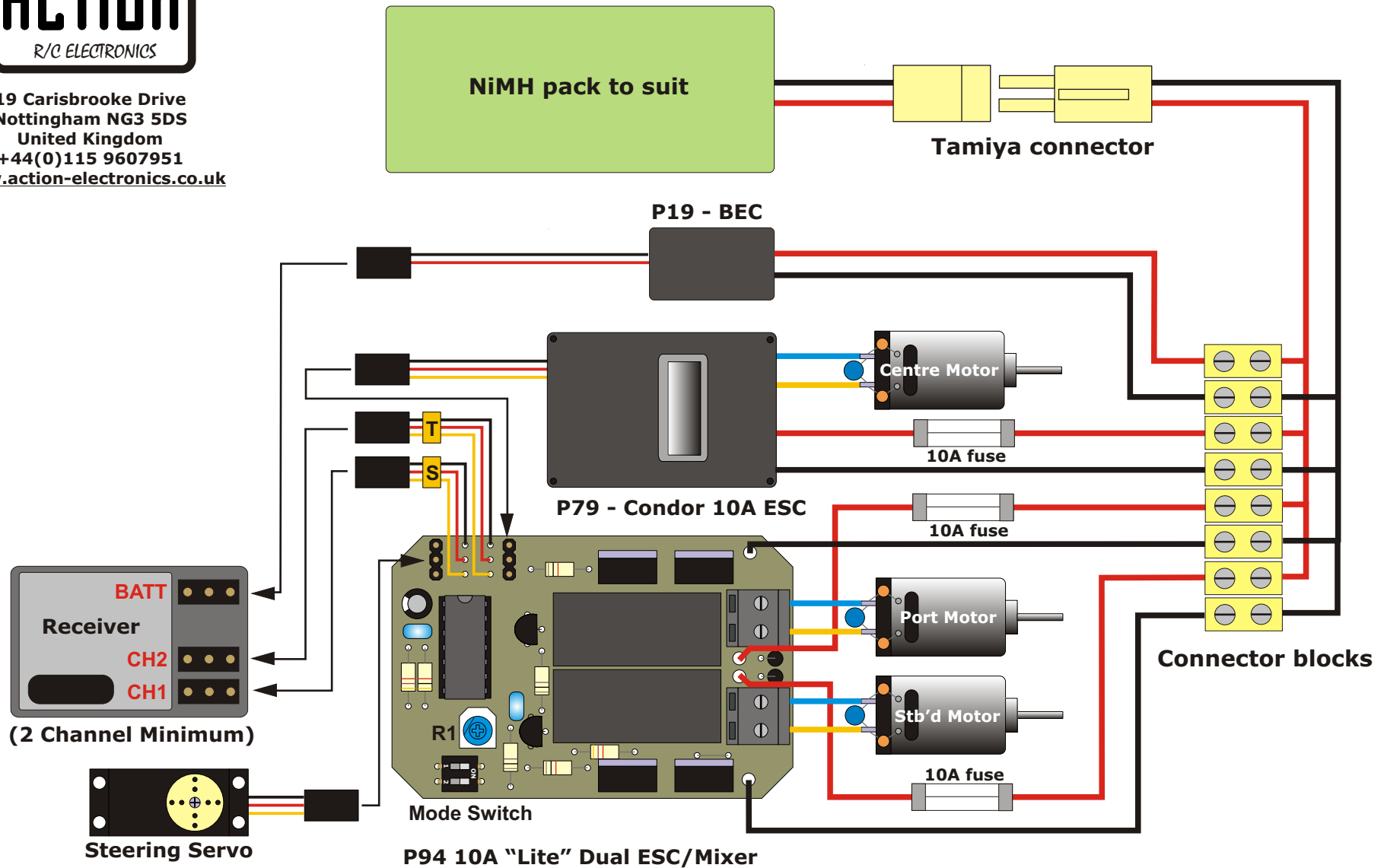


SUGGESTED INSTALLATION OF ACTION UNITS IN 3-MOTOR MTB PLASTIC KIT CONVERSION FOR MR ROB DAVIES



19 Carisbrooke Drive
Nottingham NG3 5DS
United Kingdom
+44(0)115 9607951
www.action-electronics.co.uk



Drawn by Dave Milbourn