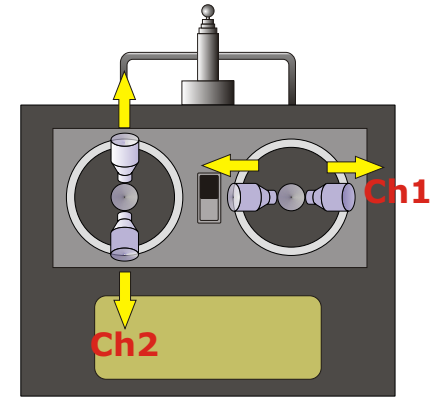
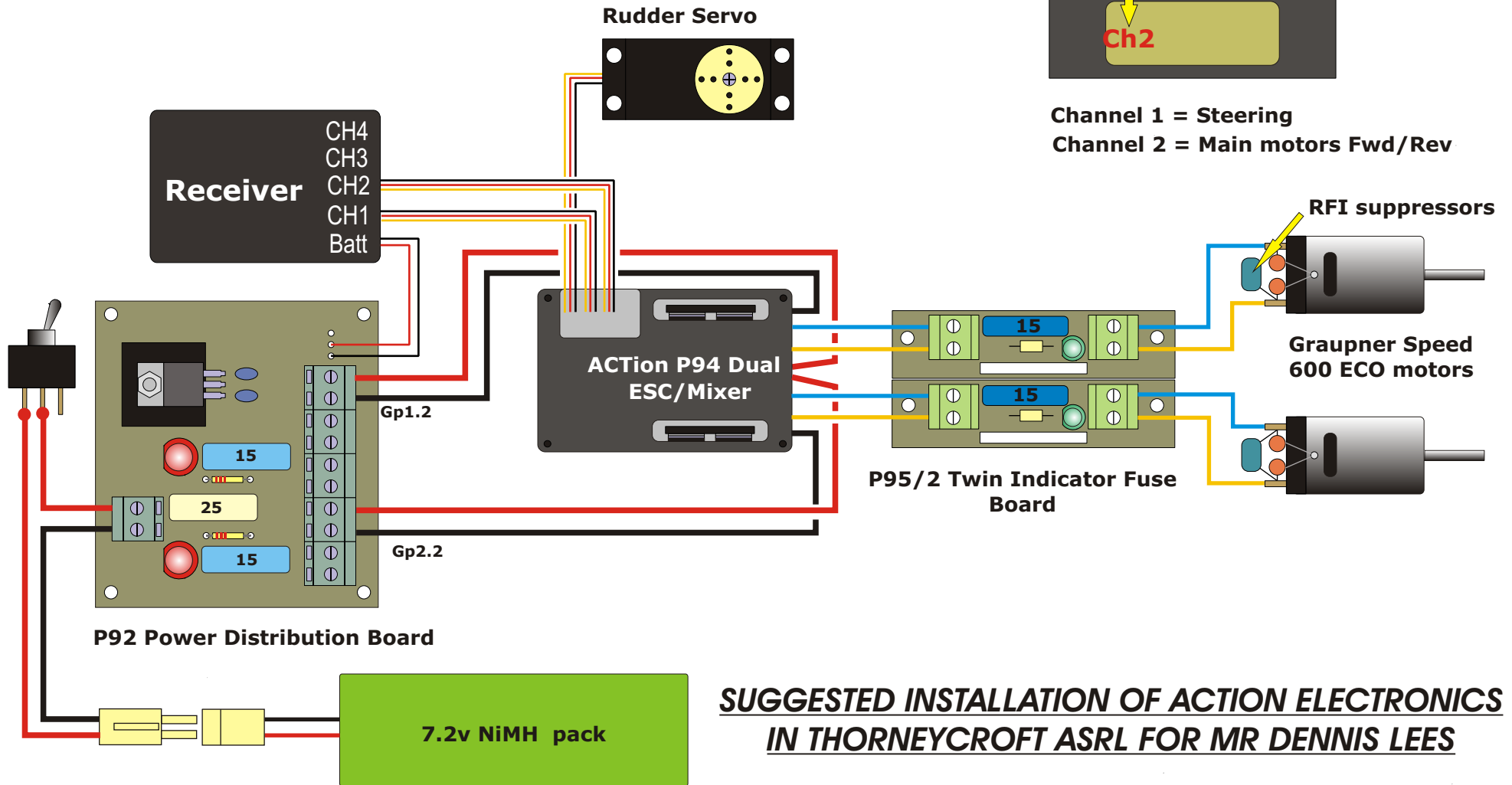




19 Carisbrooke Drive
 Nottingham NG3 5DS
 United Kingdom
 +44(0)115 9607951
 www.action-electronics.co.uk



Channel 1 = Steering
 Channel 2 = Main motors Fwd/Rev



**SUGGESTED INSTALLATION OF ACTION ELECTRONICS
 IN THORNEYCROFT ASRL FOR MR DENNIS LEES**

Drawn by Dave Milbourn

© Action R/C Electronics