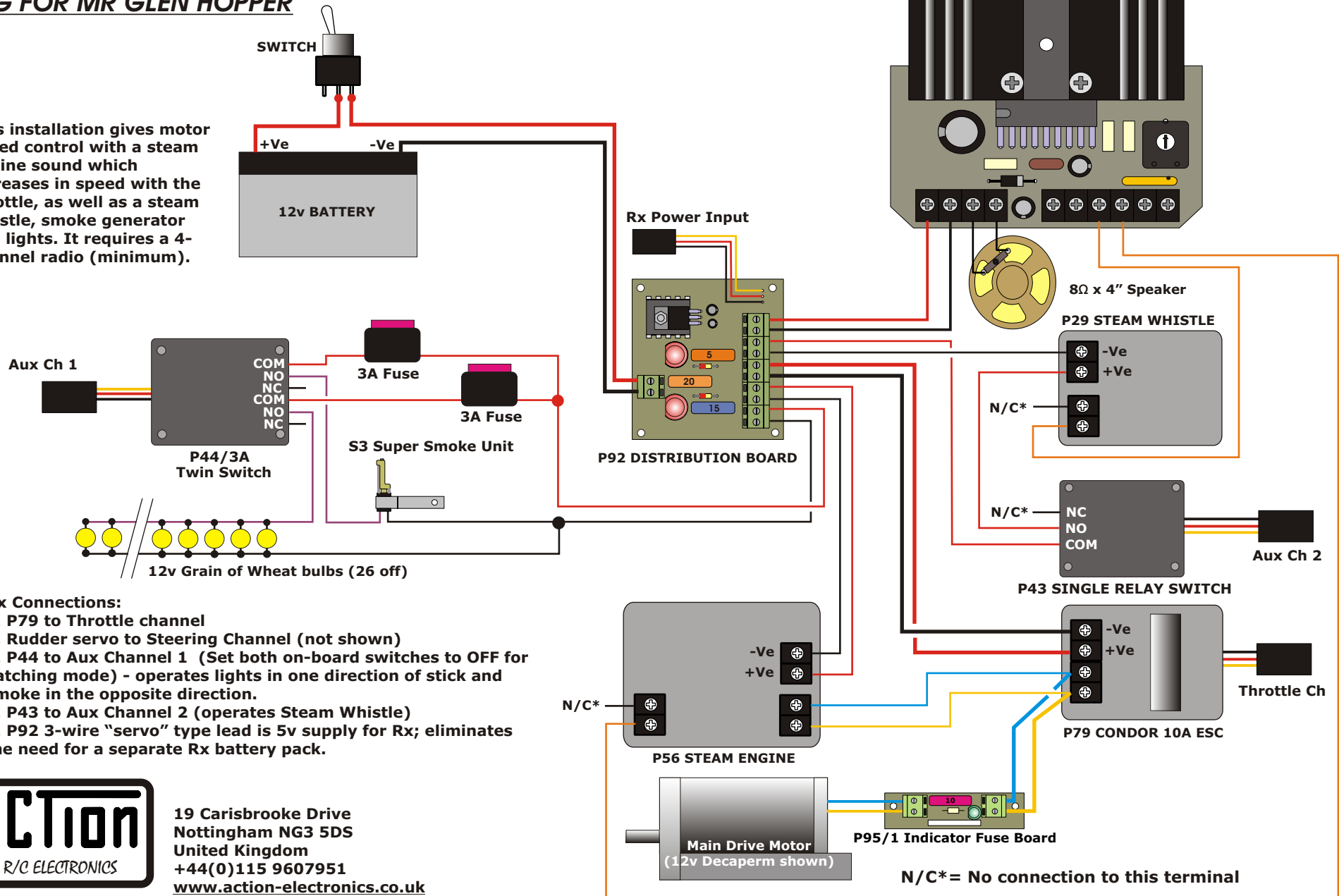


# SUGGESTED INSTALLATION OF ACTION UNITS IN SINGLE SCREW STEAM TUG FOR MR GLEN HOPPER

This installation gives motor speed control with a steam engine sound which increases in speed with the throttle, as well as a steam whistle, smoke generator and lights. It requires a 4-channel radio (minimum).



### Rx Connections:

1. P79 to Throttle channel
2. Rudder servo to Steering Channel (not shown)
3. P44 to Aux Channel 1 (Set both on-board switches to OFF for Latching mode) - operates lights in one direction of stick and smoke in the opposite direction.
4. P43 to Aux Channel 2 (operates Steam Whistle)
5. P92 3-wire "servo" type lead is 5v supply for Rx; eliminates the need for a separate Rx battery pack.



19 Carisbrooke Drive  
 Nottingham NG3 5DS  
 United Kingdom  
 +44(0)115 9607951  
[www.action-electronics.co.uk](http://www.action-electronics.co.uk)

Drawn by Dave Millbourn

N/C\* = No connection to this terminal