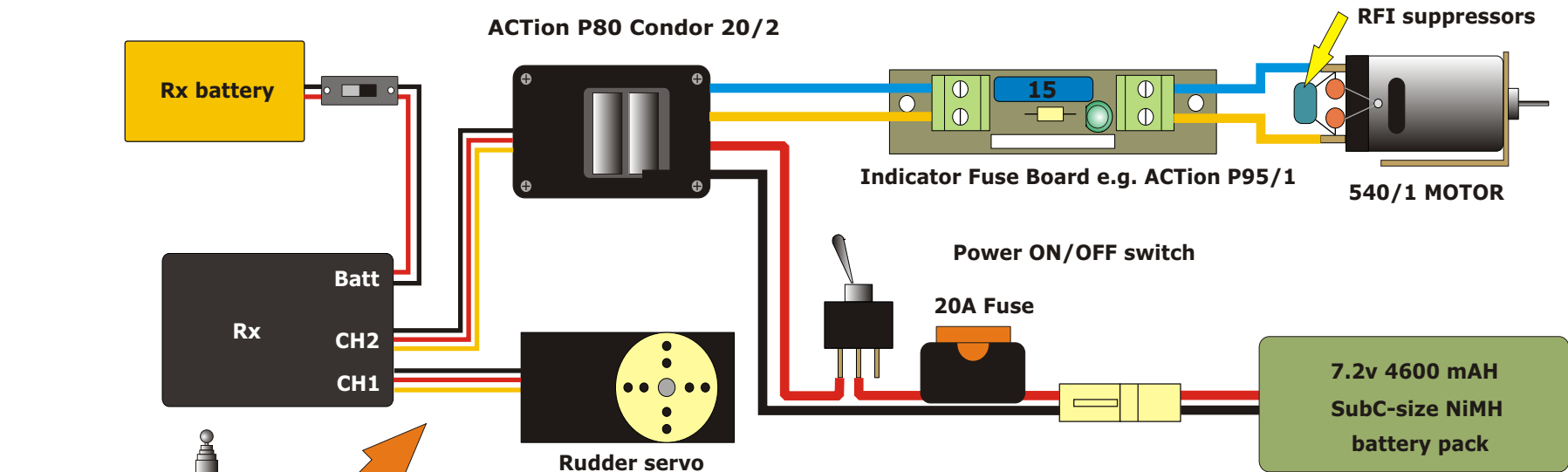
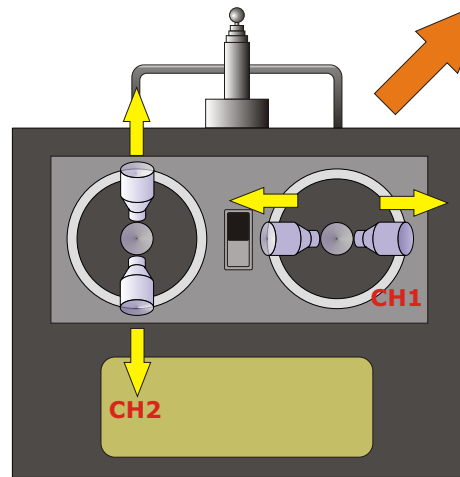


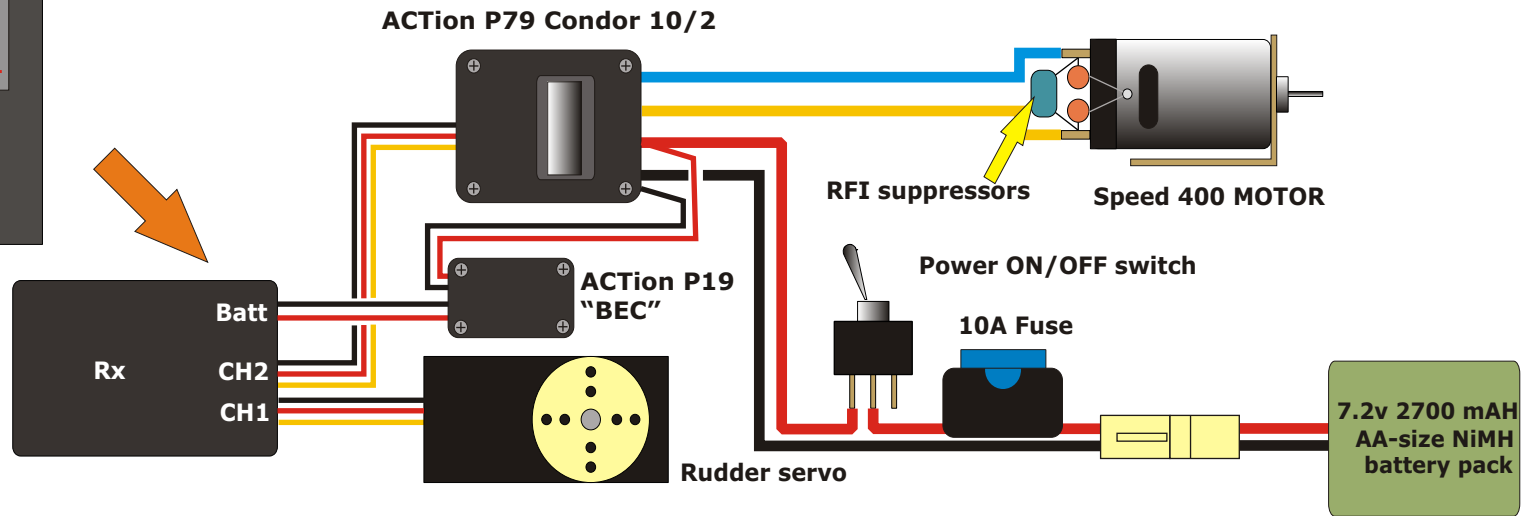
SUGGESTED INSTALLATION OF ACTION ELECTRONICS IN MODEL SLIPWAY "SHAMROCK"



Electronic units shown are available from ACTION R/C Electronics Ltd



Channel 1 = Steering
Channel 2 = Motor Speed/Direction



SUGGESTED INSTALLATION IN MODEL SLIPWAY "RTTL" & "FSB TENBY"

This installation is NOT suitable for receivers which already have a BEC built into them. If in doubt, check your RC manual.

Drawn by Dave Milbourn