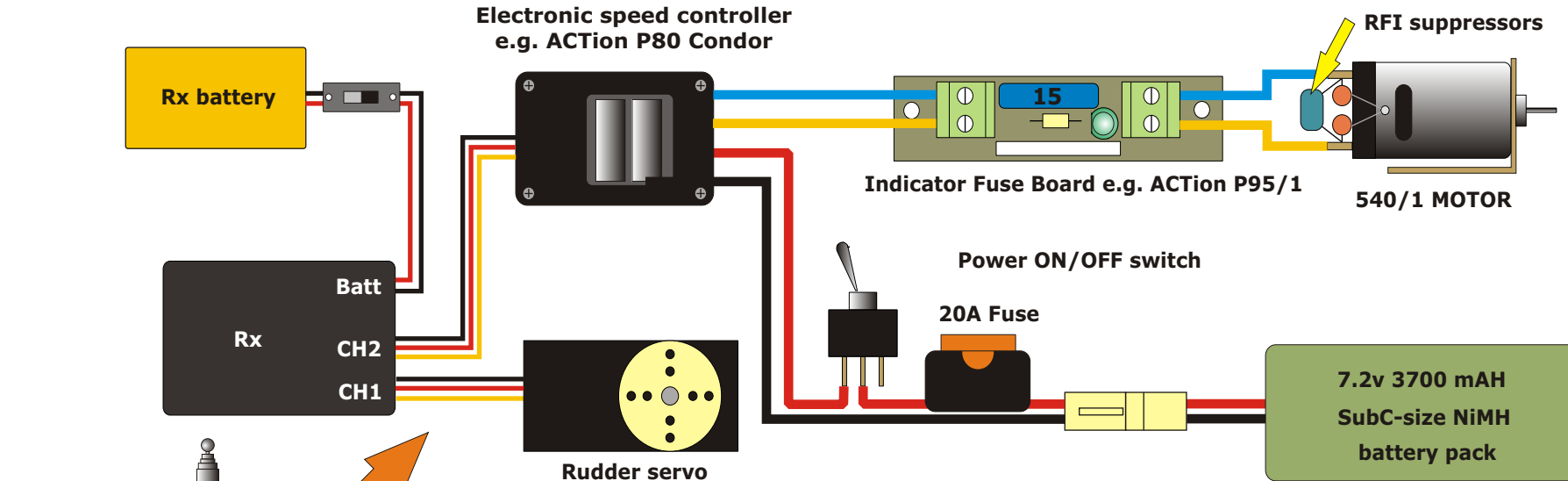
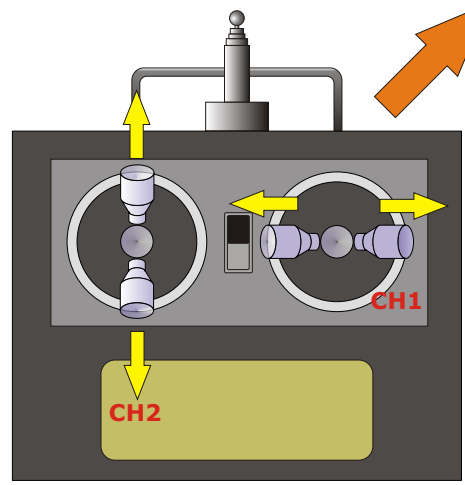


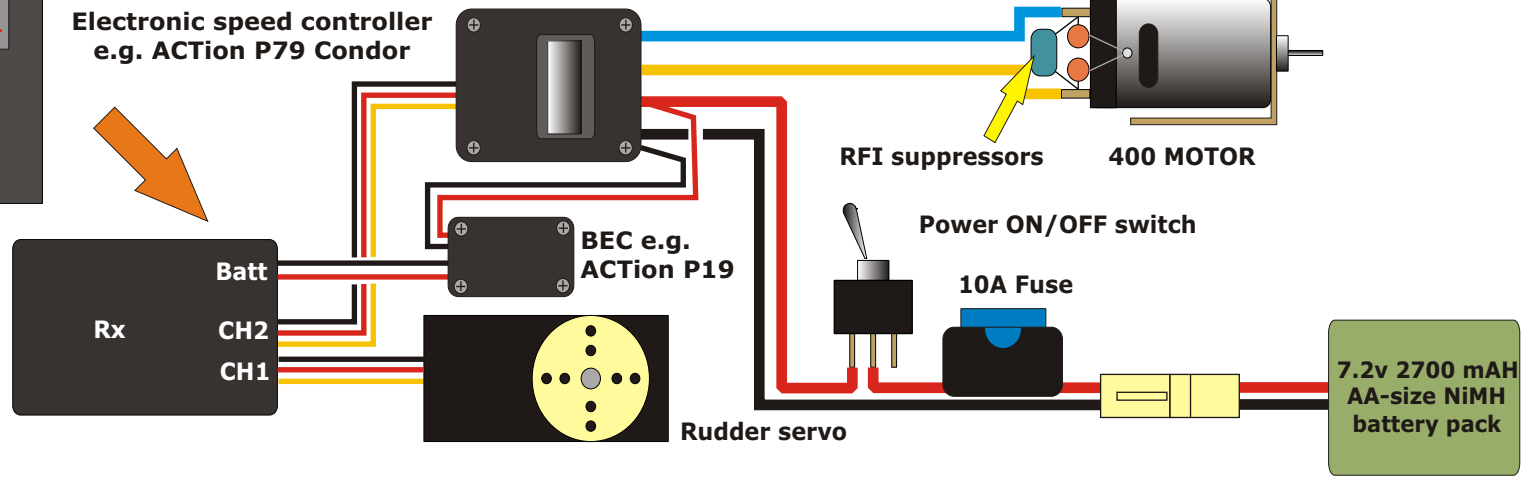
SUGGESTED INSTALLATION FOR MODEL SLIPWAY "SHAMROCK"



Suitable electronic speed controllers, fuse-boards, RFI suppressors and fuses are available from ACTION R/C Electronics
www.action.electronics.co.uk
 or Telephone +44 (0) 9607952



Channel 1 = Steering
 Channel 2 = Motor Speed/
 Direction



SUGGESTED INSTALLATION FOR MODEL SLIPWAY "RTTL" & "FSB TENBY"