



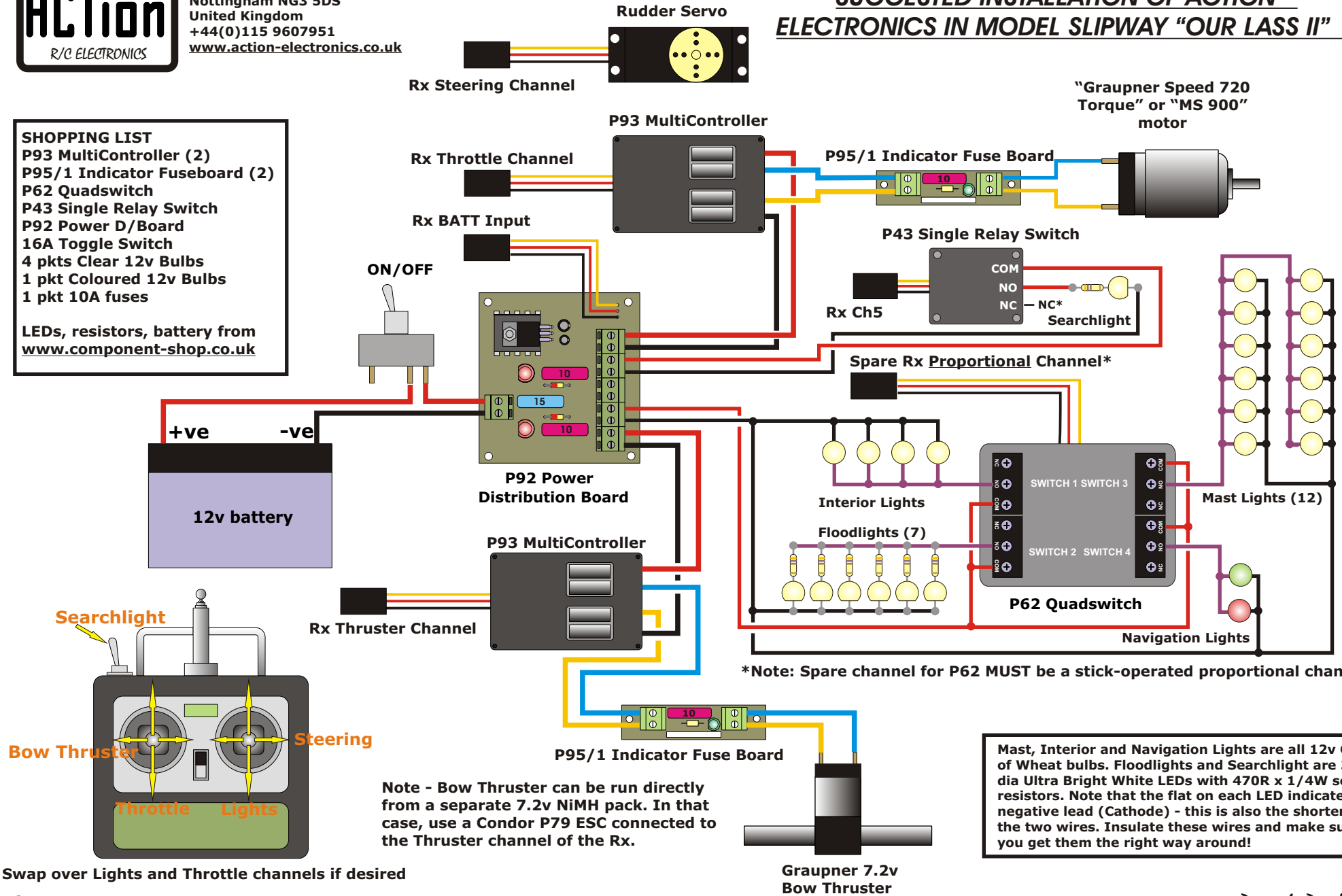
19 Carisbrooke Drive
Nottingham NG3 5DS
United Kingdom
+44(0)115 9607951
www.action-electronics.co.uk

SHOPPING LIST

- P93 MultiController (2)
- P95/1 Indicator Fuseboard (2)
- P62 Quadswitch
- P43 Single Relay Switch
- P92 Power D/Board
- 16A Toggle Switch
- 4 pkts Clear 12v Bulbs
- 1 pkt Coloured 12v Bulbs
- 1 pkt 10A fuses

LEDs, resistors, battery from
www.component-shop.co.uk

**SUGGESTED INSTALLATION OF ACTION
ELECTRONICS IN MODEL SLIPWAY "OUR LASS II"**



Note - Bow Thruster can be run directly from a separate 7.2v NiMH pack. In that case, use a Condor P79 ESC connected to the Thruster channel of the Rx.

*Note: Spare channel for P62 MUST be a stick-operated proportional channel .

Mast, Interior and Navigation Lights are all 12v Grain of Wheat bulbs. Floodlights and Searchlight are 3mm dia Ultra Bright White LEDs with 470R x 1/4W series resistors. Note that the flat on each LED indicates the negative lead (Cathode) - this is also the shorter of the two wires. Insulate these wires and make sure you get them the right way around!

Swap over Lights and Throttle channels if desired