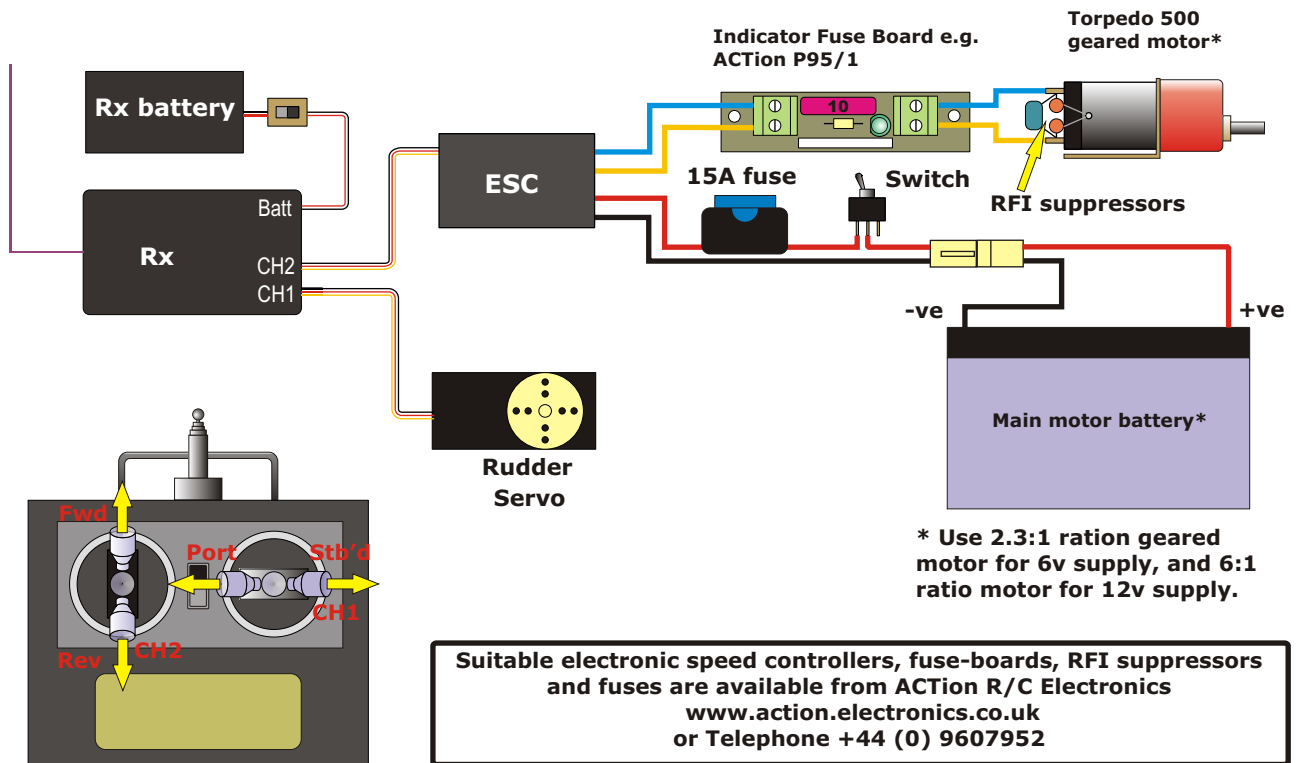


## SUGGESTED R/C INSTALLATION FOR MODEL SLIPWAY "LOYAL CLASS", "ENVOY", "MAGGIE M" AND "COASTER"



\* Use 2.3:1 ration geared motor for 6v supply, and 6:1 ratio motor for 12v supply.

**NB:** When using an Electronic Speed Controller which has Battery Eliminator Circuitry (BEC), then you must disable the BEC in the speed controller if you wish to run the receiver via a separate receiver battery, as drawn. See the Instruction Manual which came with your speed controller.