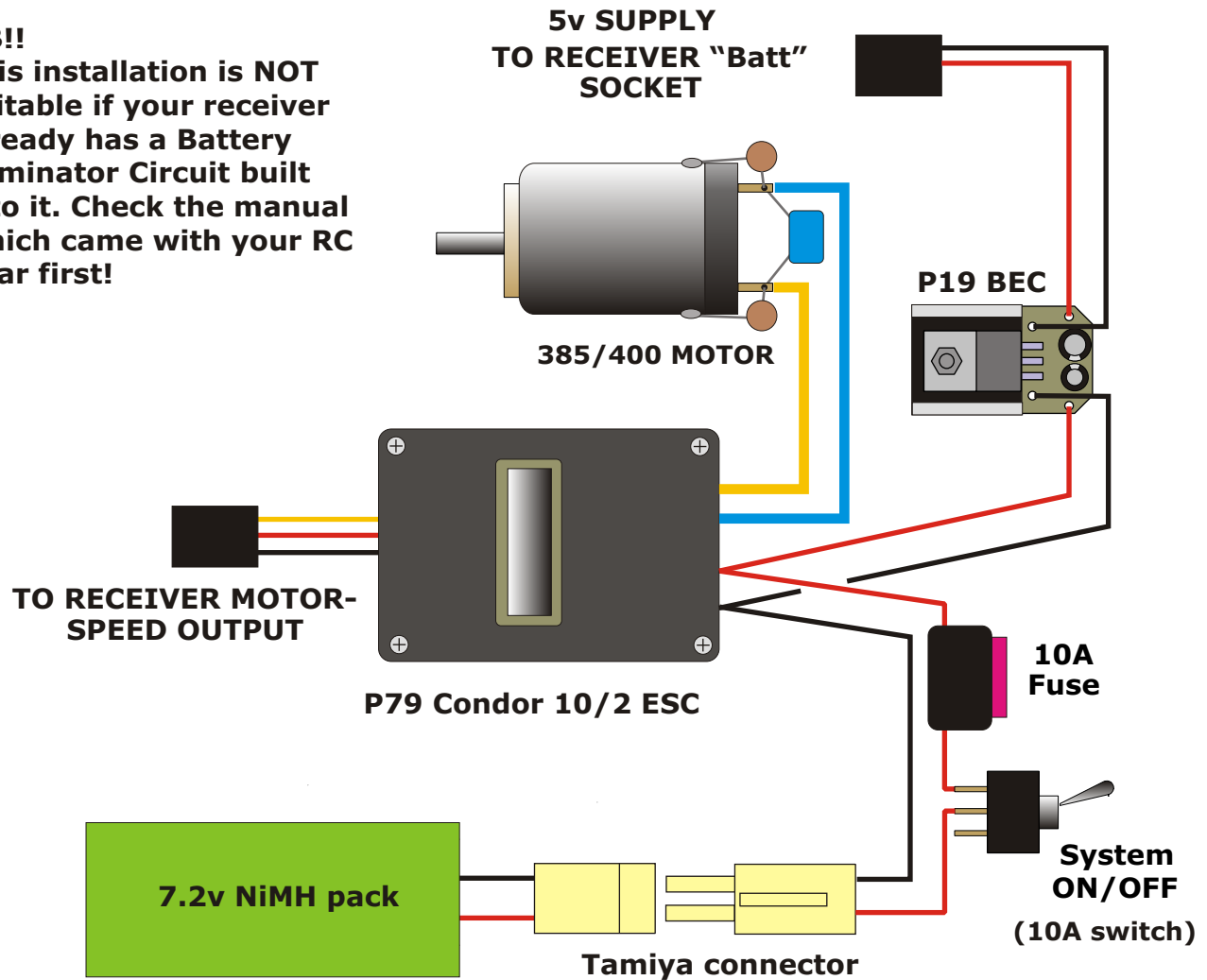


SUGGESTED WIRING FOR SMALL SINGLE MOTOR WITH BEC

Originally designed for Model Slipway "Vosper RTTL" kit installation

NB!!
This installation is NOT suitable if your receiver already has a Battery Eliminator Circuit built into it. Check the manual which came with your RC gear first!



19 Carisbrooke Drive
Nottingham NG3 5DS
United Kingdom
+44(0)115 9607951
www.action-electronics.co.uk