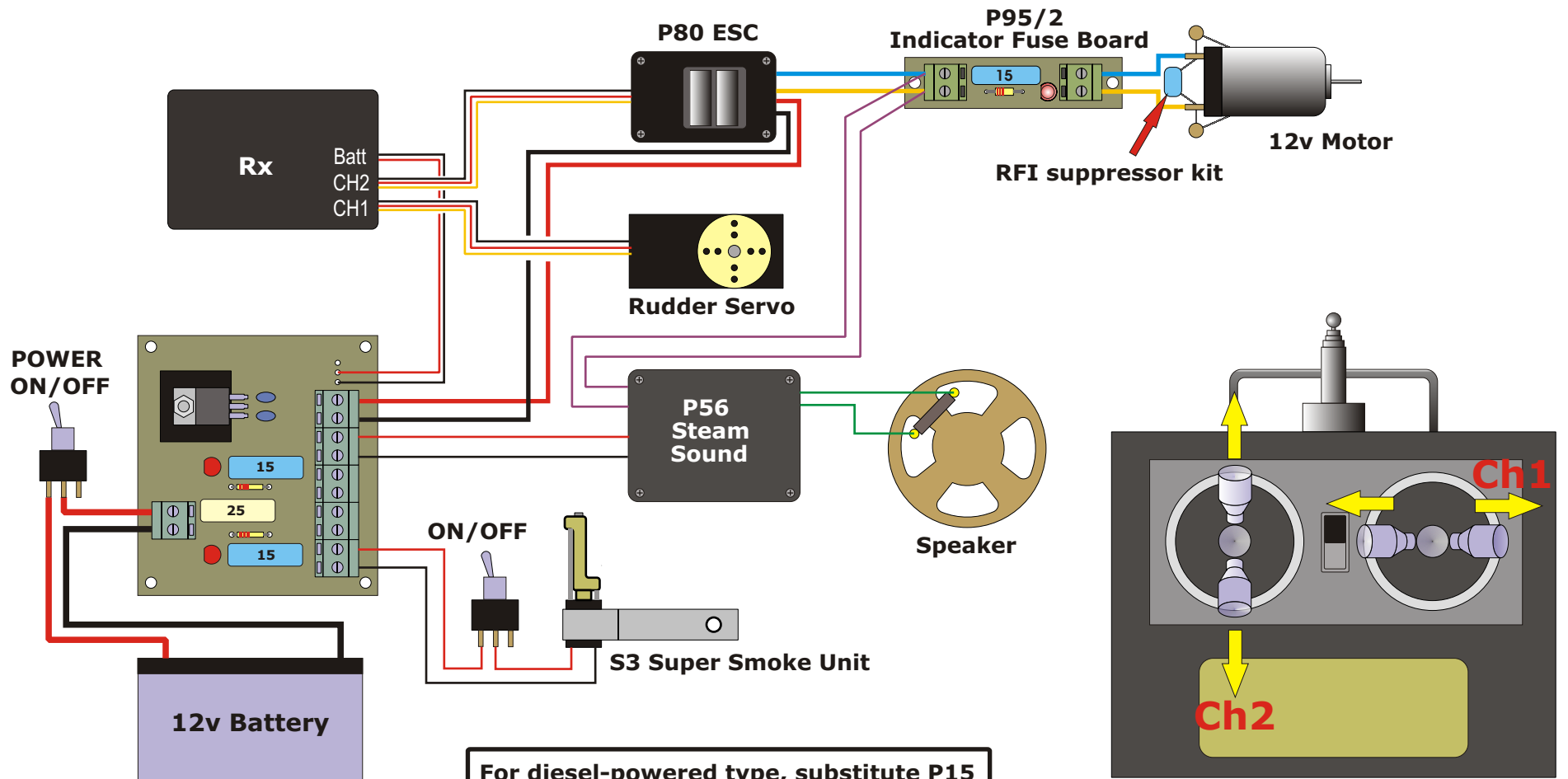
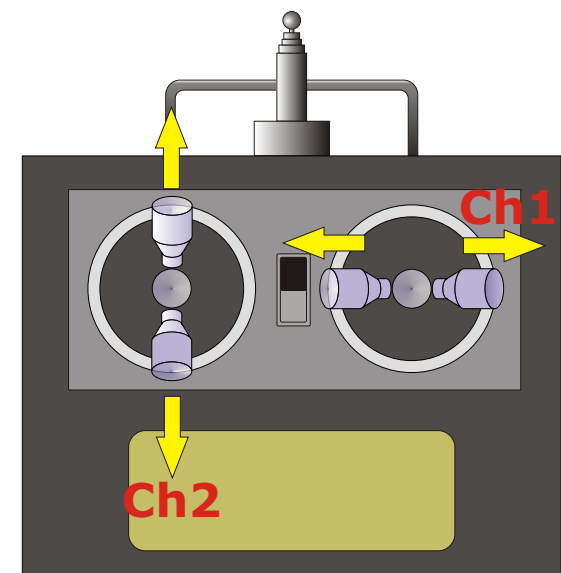


SUGGESTED INSTALLATION OF ACTION ELECTRONICS IN SIMPLE 2-CHANNEL TUG, WITH ENGINE SOUND



For diesel-powered type, substitute P15 for P56 and omit S3 Super Smoke unit.



Channel 1 = Steering
Channel 2 = Motor Speed/Direction



19 Carisbrooke Drive
Nottingham NG3 5DS
United Kingdom
+44(0)115 9607951
www.action-electronics.co.uk