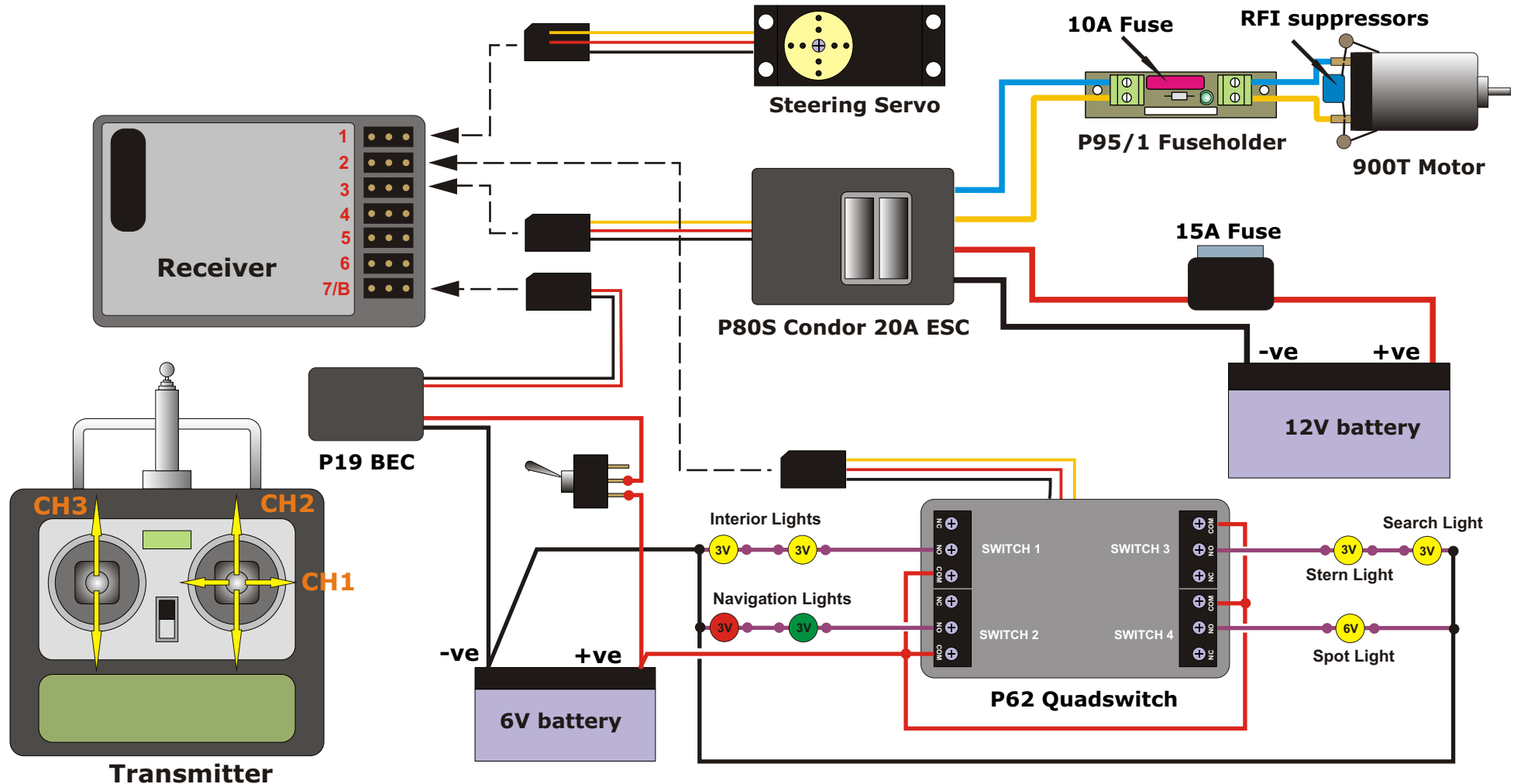




19 Carisbrooke Drive
Nottingham NG3 5DS
United Kingdom
+44(0)115 9607951
www.action-electronics.co.uk

SUGGESTED INSTALLATION OF ACTION ELECTRONICS IN "SEA QUEEN" FOR MR BARRY SINGLE

Drawn by Dave Milbourn



Ch1 = Steering;
Ch2 = Lights;
Ch3 = Motor speed/direction