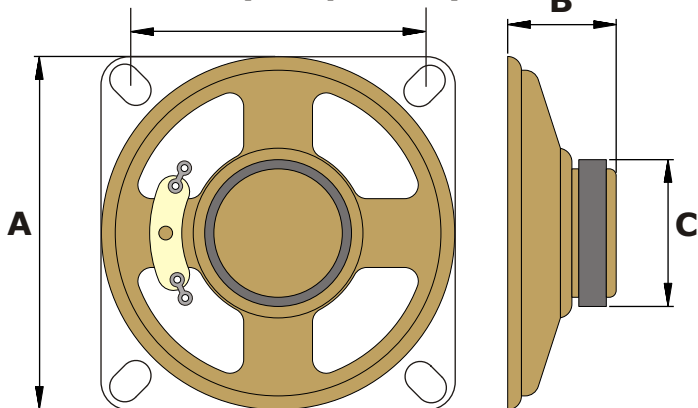


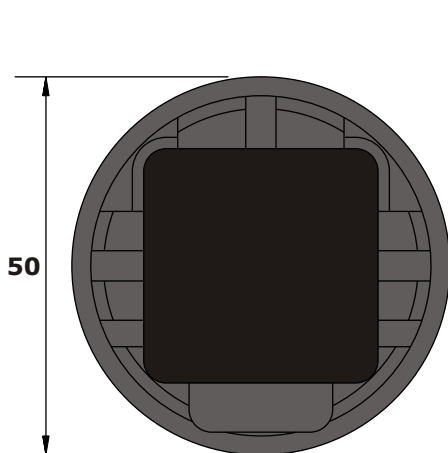
SPEAKERS

71mm (3.5" speaker)
82mm (4" speaker)

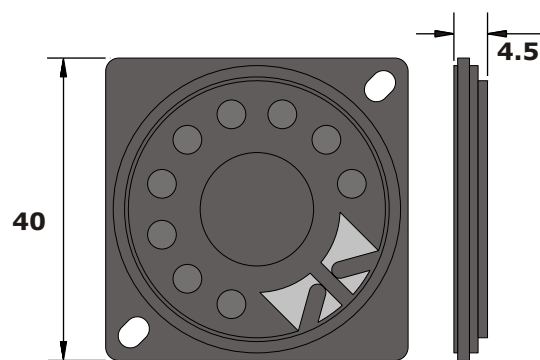
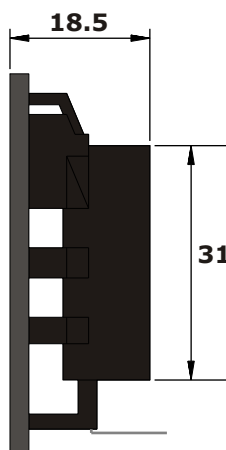


Mylar-cone speakers

	POWER (W)	Dim A (mm)	Dim B (mm)	Dim C (mm)
4"	10W	100	36	55
3.5"	12W	77	32	61
3"	2W	77	25	32
2.5"	2W	66	20	32
2"	0.5W	50	17	32



SUPER 2" mylar



40mm x 5mm square mylar

**ALL SPEAKERS ARE 8 OHM
IMPEDANCE**



19 Carisbrooke Drive
Nottingham NG3 5DS