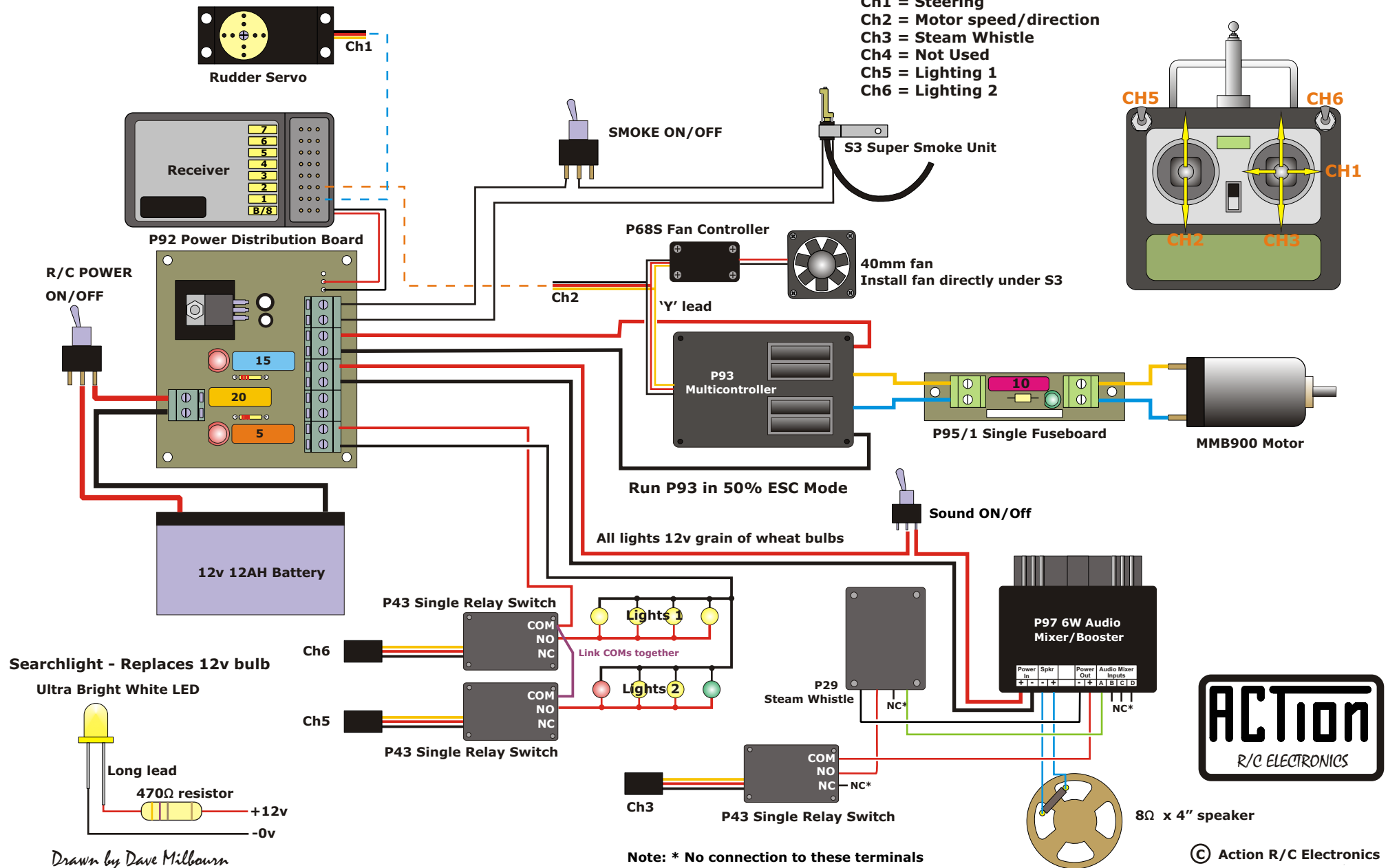


INSTALLATION OF ACTION UNITS IN "SIR LANCELOT" FOR MR PAUL GODFREY

- Ch1 = Steering
- Ch2 = Motor speed/direction
- Ch3 = Steam Whistle
- Ch4 = Not Used
- Ch5 = Lighting 1
- Ch6 = Lighting 2



Drawn by Dave Millbourn

© Action R/C Electronics