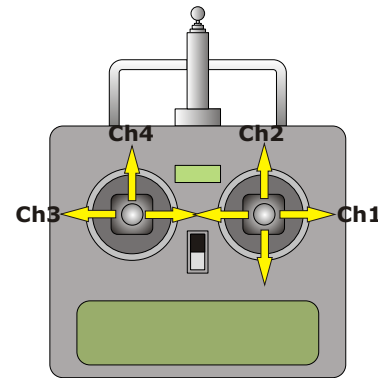


**INSTALLATION OF ACTION UNITS IN MOUNTFLEET  
"HIGHLANDER" FOR MR MARTIN CARR**

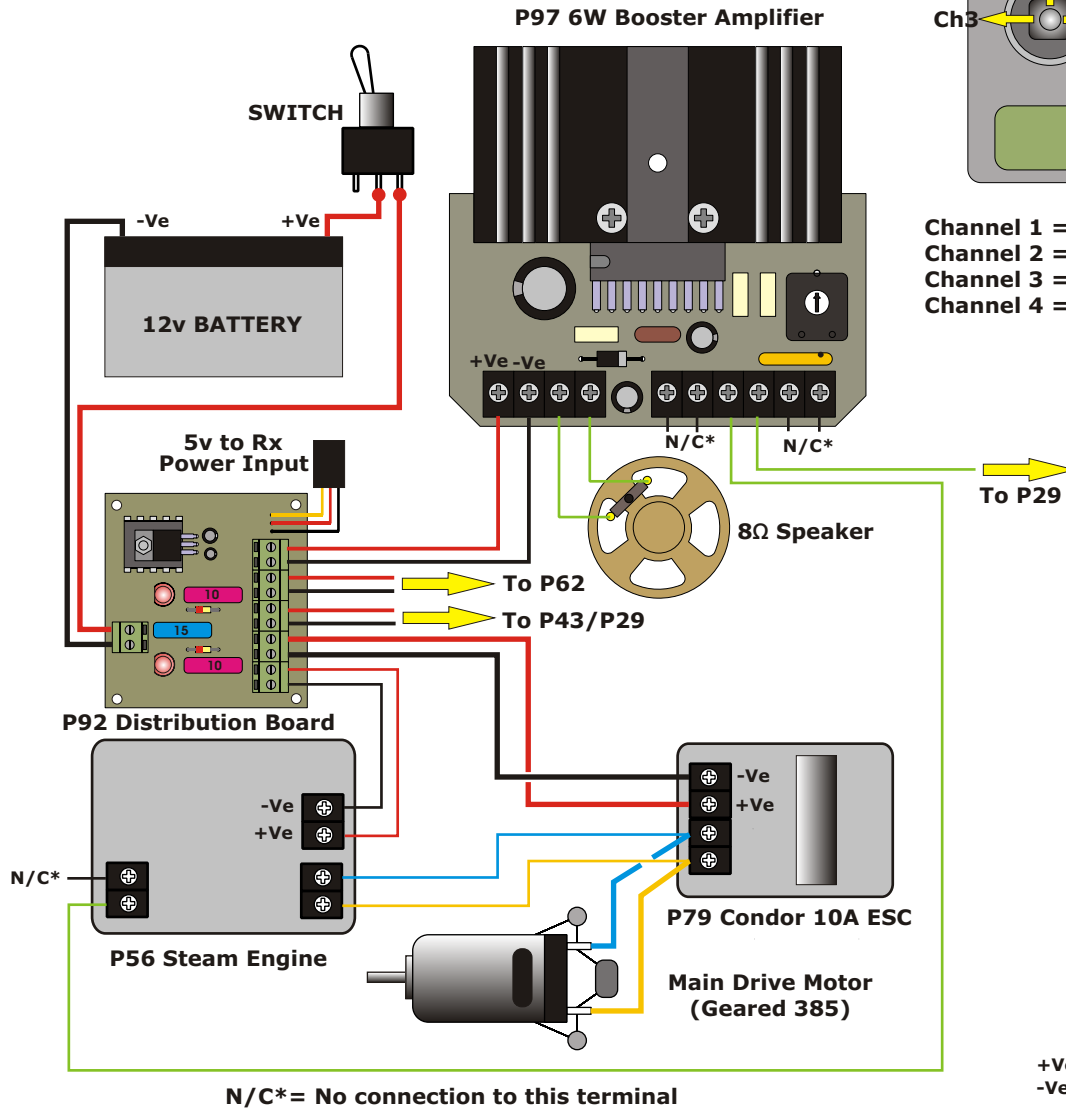
19 Carisbrooke Drive  
Nottingham NG3 5DS  
United Kingdom  
+44(0)115 9607951  
www.action-electronics.co.uk



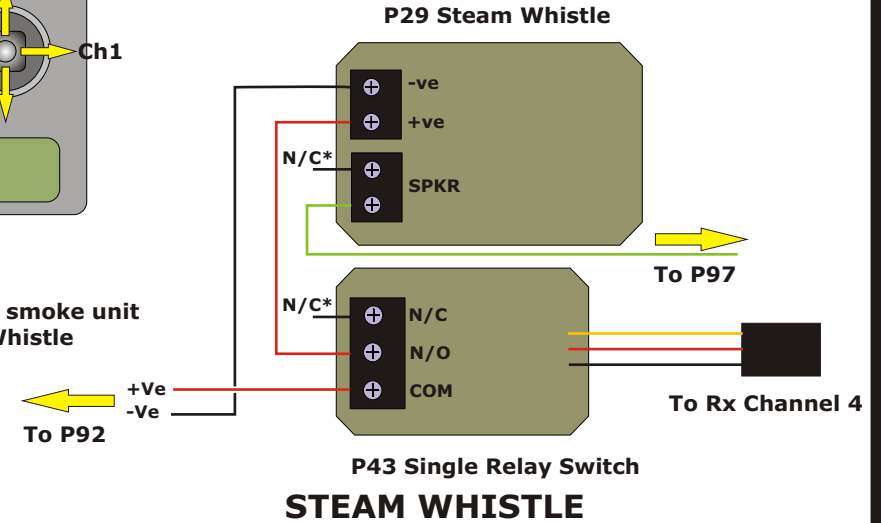
**SPEED CONTROL AND STEAM ENGINE SOUND**



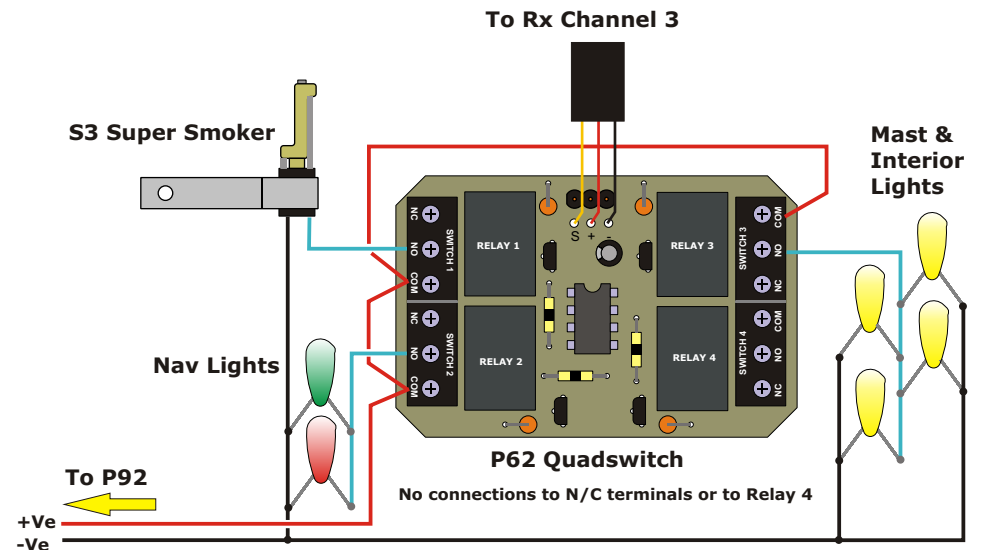
Channel 1 = Steering  
Channel 2 = Throttle  
Channel 3 = Lights & smoke unit  
Channel 4 = Steam Whistle



N/C\* = No connection to this terminal



**STEAM WHISTLE**



**LIGHTS AND SMOKE UNIT**

**"THE WORKS!!"**