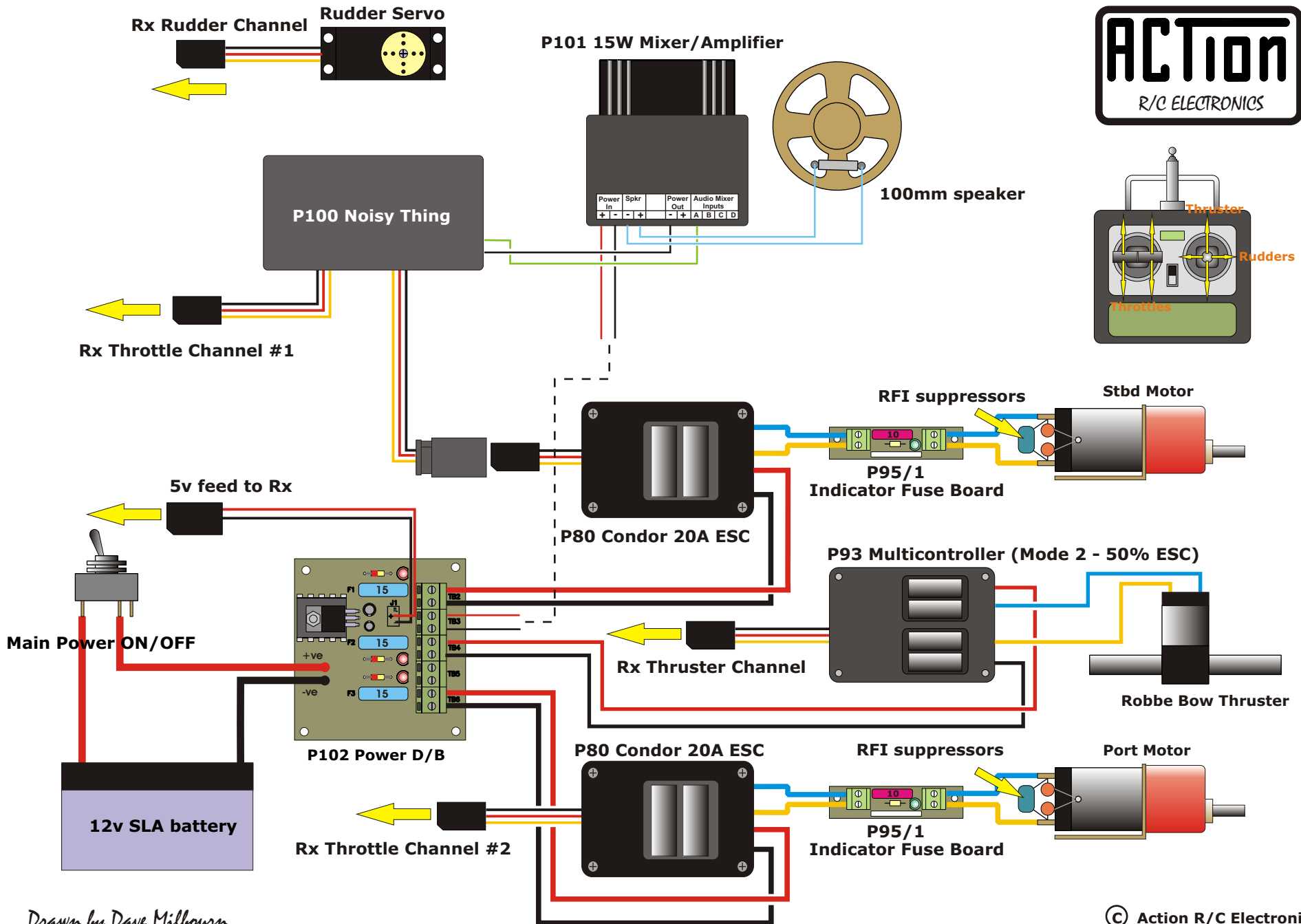


# SUGGESTED INSTALLATION OF ACTION ELECTRONICS IN Model Slipway "Aziz" for Mr David Brown



Drawn by Dave Milbourn