



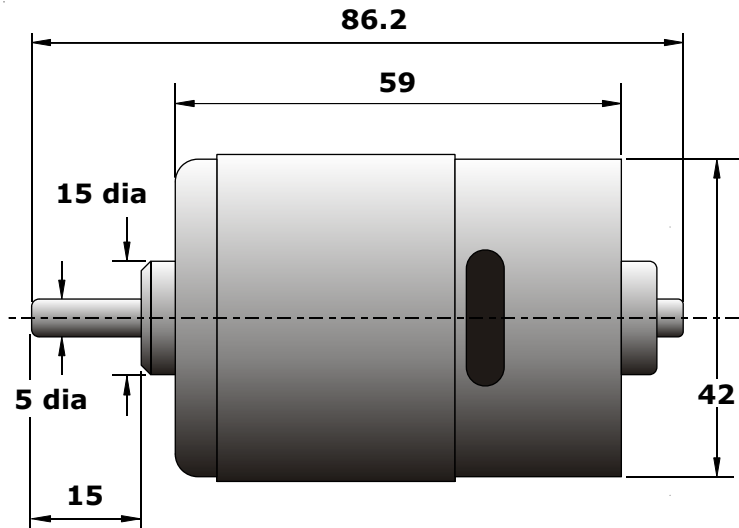
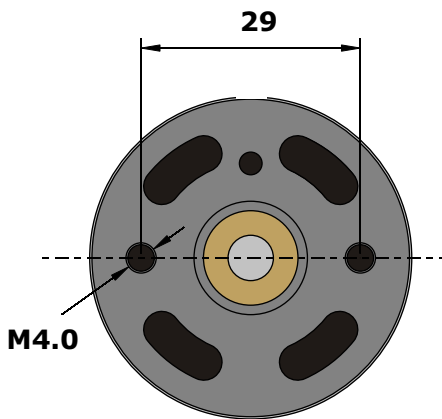
19 Carisbrooke Drive
Nottingham NG3 5DS

ELECTRIC MOTORS (3)



ACTION 755

ACTION 755 Weight approx 275g



MMB 900

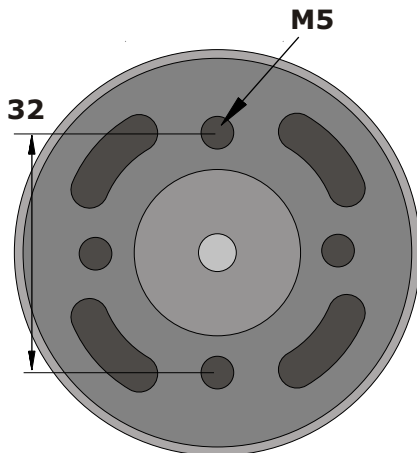
Plated steel mounting brackets are available for both of these motors - see separate page and Price List



MMB 900

MMB 900

(Suppressor and cables not included)



Weight approx 640g

