

# ELECTRIC MOTORS (2)



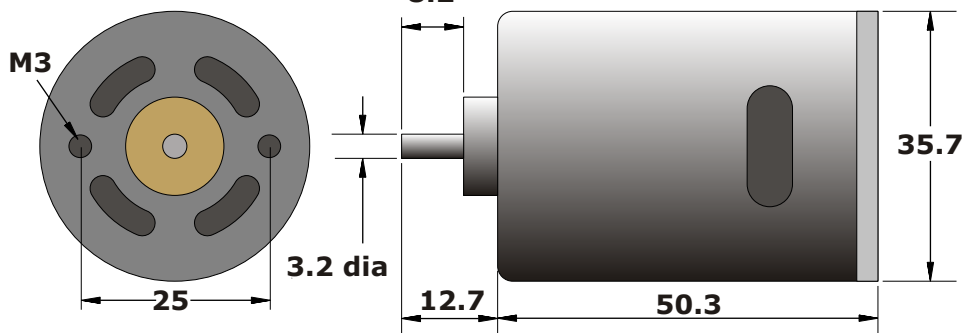
19 Carisbrooke Drive  
Nottingham NG3 5DS



540/545

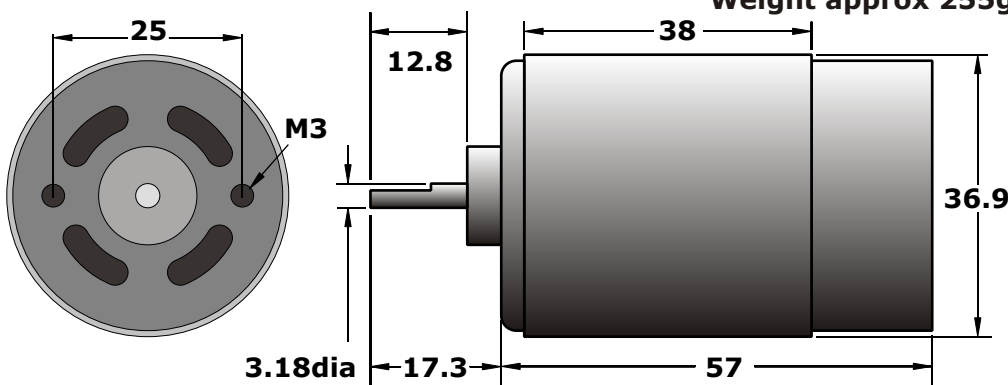
**SUN 540/545**

Weight approx 160g

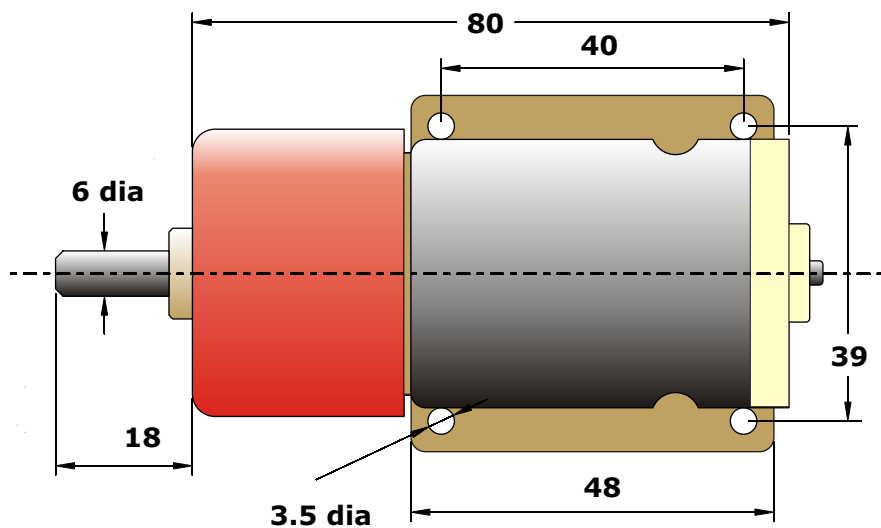


**MABUCHI RS-555PH**

Weight approx 255g



**MFA 500 Geared**  
(2.5:1 & 6:1)



Weight approx 240g

