

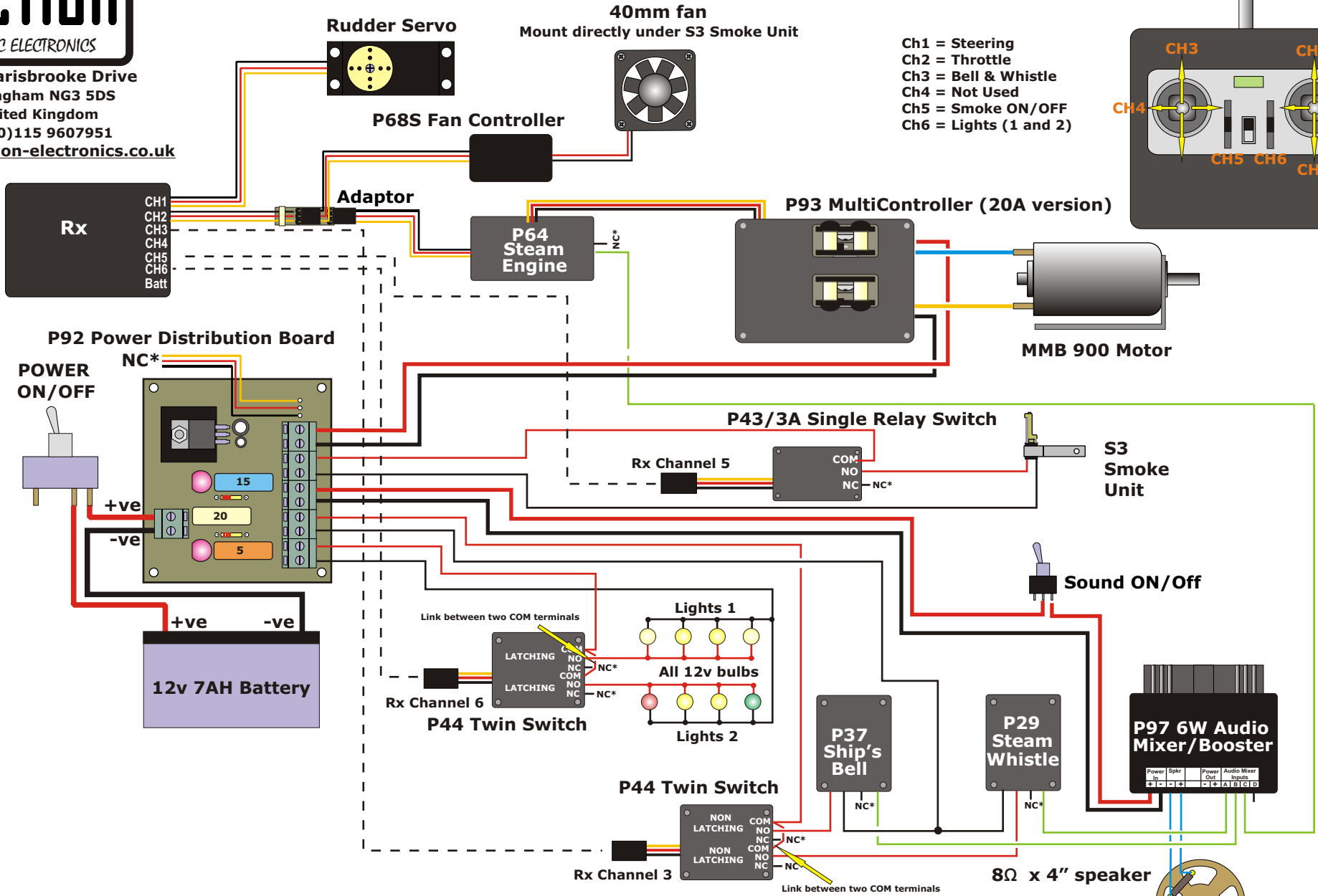
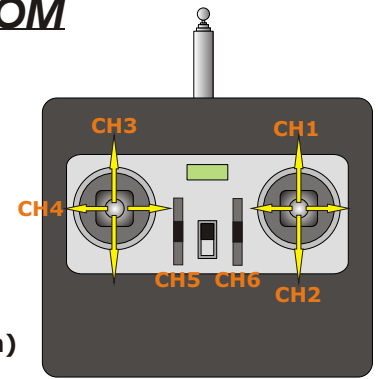


19 Carisbrooke Drive
Nottingham NG3 5DS
United Kingdom
+44(0)115 9607951

www.action-electronics.co.uk

SUGGESTED INSTALLATION IN "LADY JAN" FOR MR URBAN SANDSTRÖM

- Ch1 = Steering
- Ch2 = Throttle
- Ch3 = Bell & Whistle
- Ch4 = Not Used
- Ch5 = Smoke ON/OFF
- Ch6 = Lights (1 and 2)



Note: * No connection to these terminals