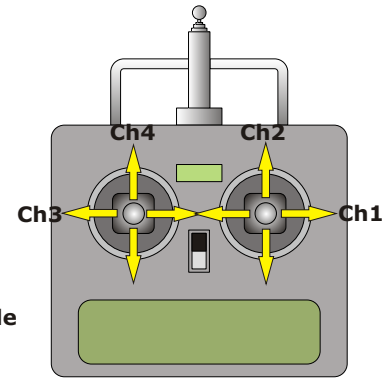


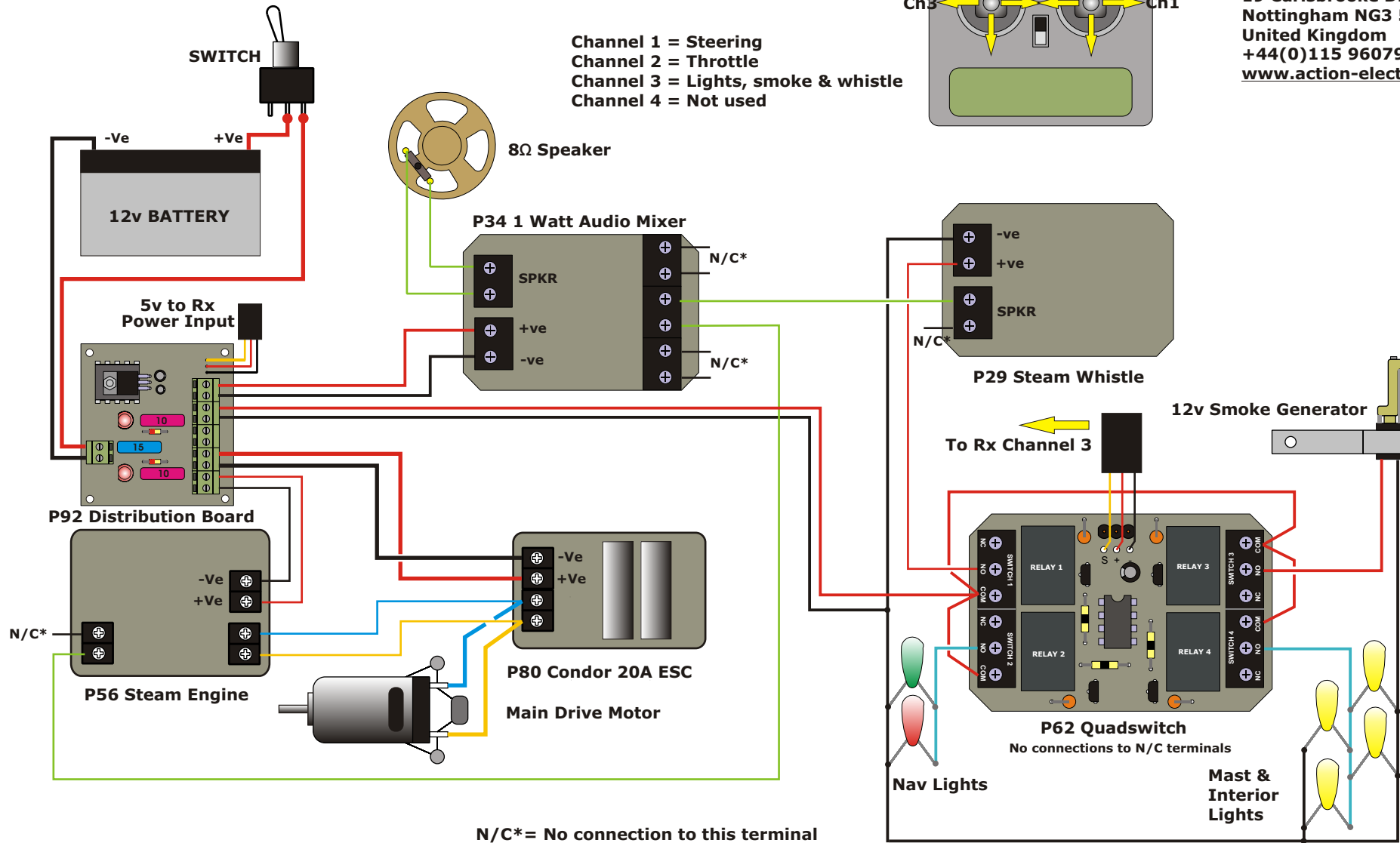
INSTALLATION OF ACTION UNITS IN MOUNTFLEET "HIGHLANDER" FOR MR KEN MANCHIP



19 Carisbrooke Drive
Nottingham NG3 5DS
United Kingdom
+44(0)115 9607951
www.action-electronics.co.uk



Channel 1 = Steering
Channel 2 = Throttle
Channel 3 = Lights, smoke & whistle
Channel 4 = Not used



N/C* = No connection to this terminal