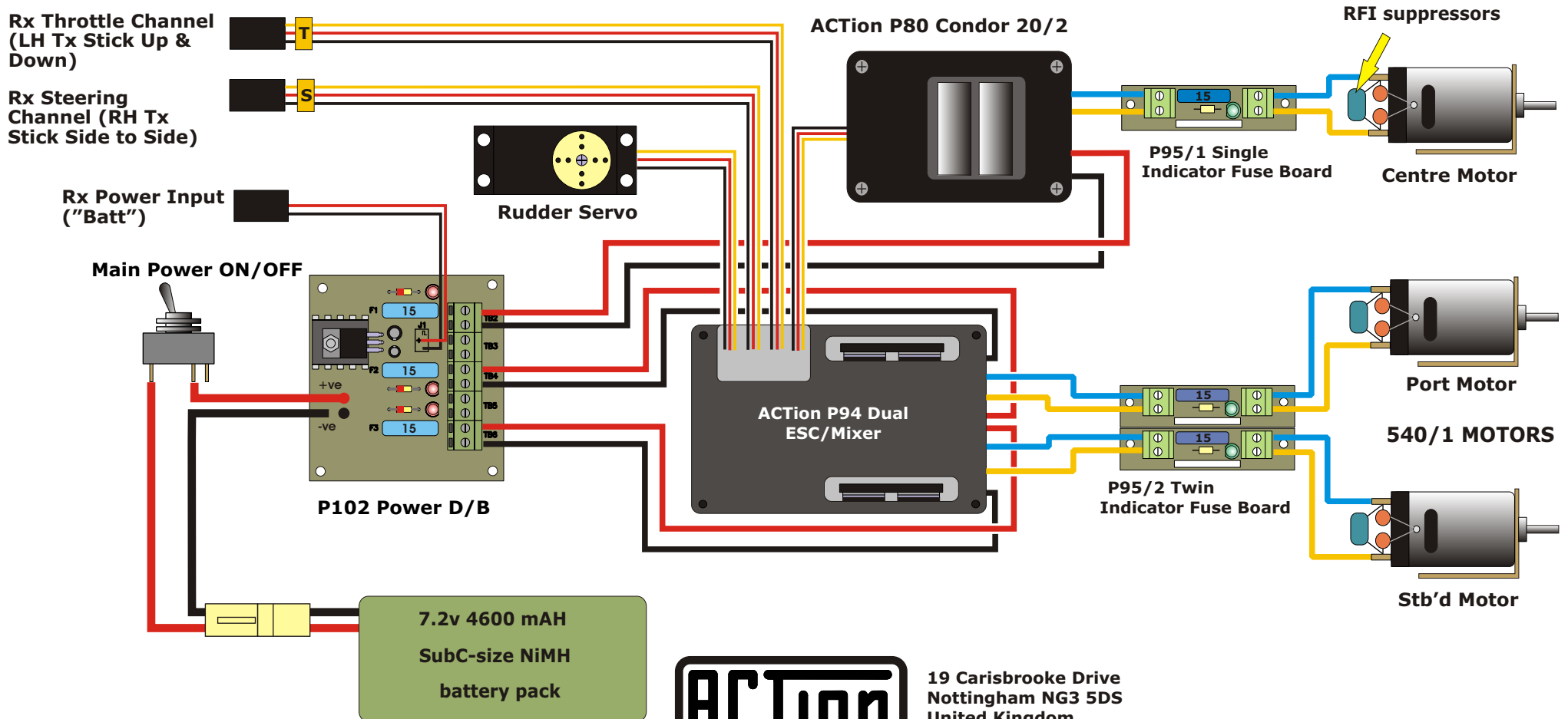


# SUGGESTED INSTALLATION OF ACTION ELECTRONICS IN "HMS BRAVE BORDERER" MTB FOR MR NICK PANTER



19 Carisbrooke Drive  
 Nottingham NG3 5DS  
 United Kingdom  
 +44(0)115 9607951  
[www.action-electronics.co.uk](http://www.action-electronics.co.uk)