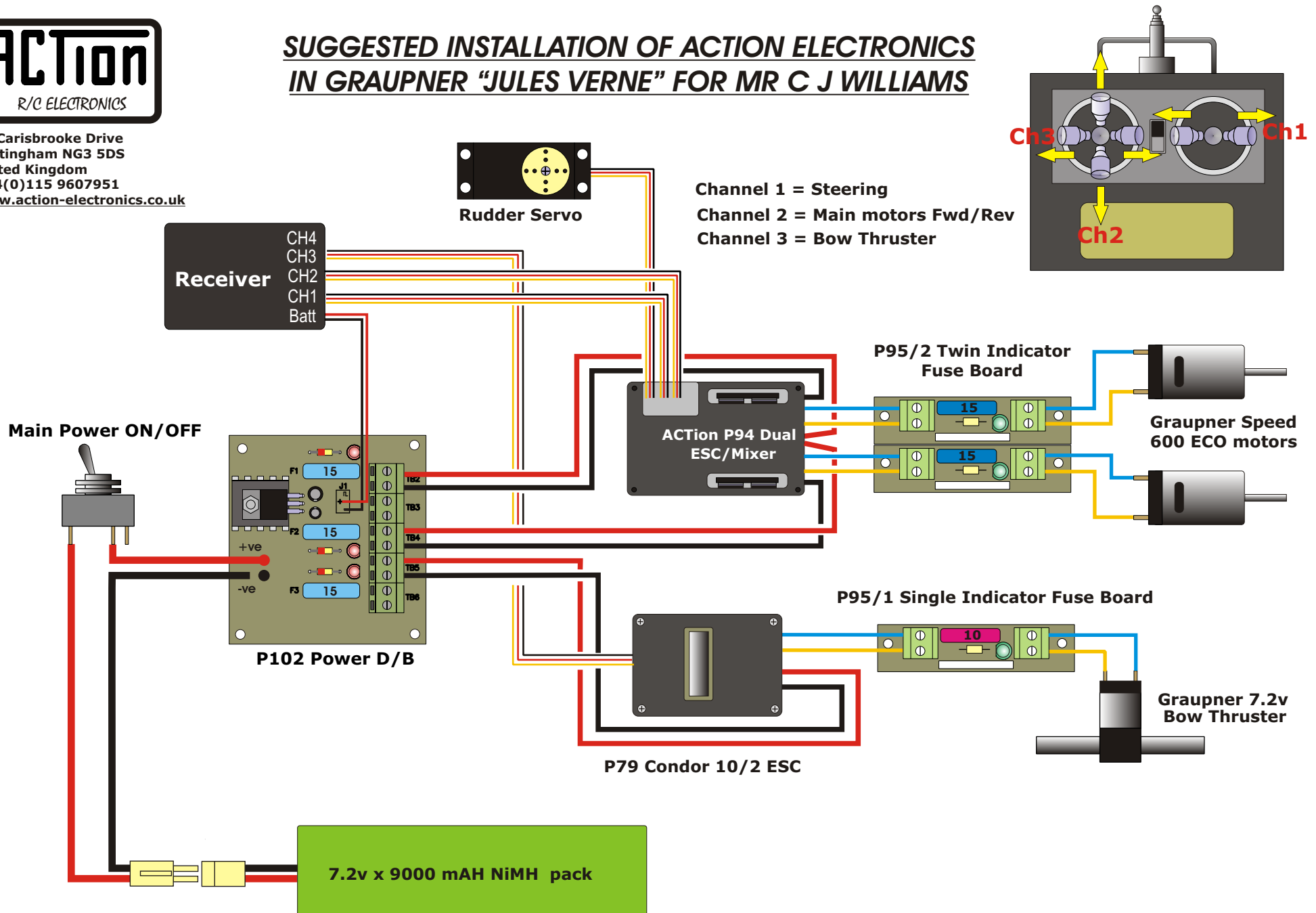




19 Carisbrooke Drive
Nottingham NG3 5DS
United Kingdom
+44(0)115 9607951
www.action-electronics.co.uk

SUGGESTED INSTALLATION OF ACTION ELECTRONICS IN GRAUPNER "JULES VERNE" FOR MR C J WILLIAMS



Drawn by Dave Milbourn