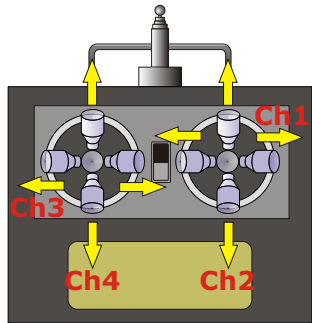
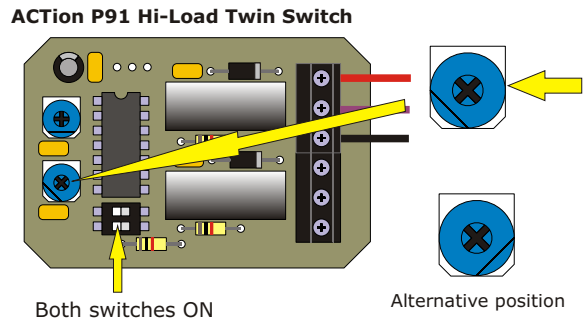
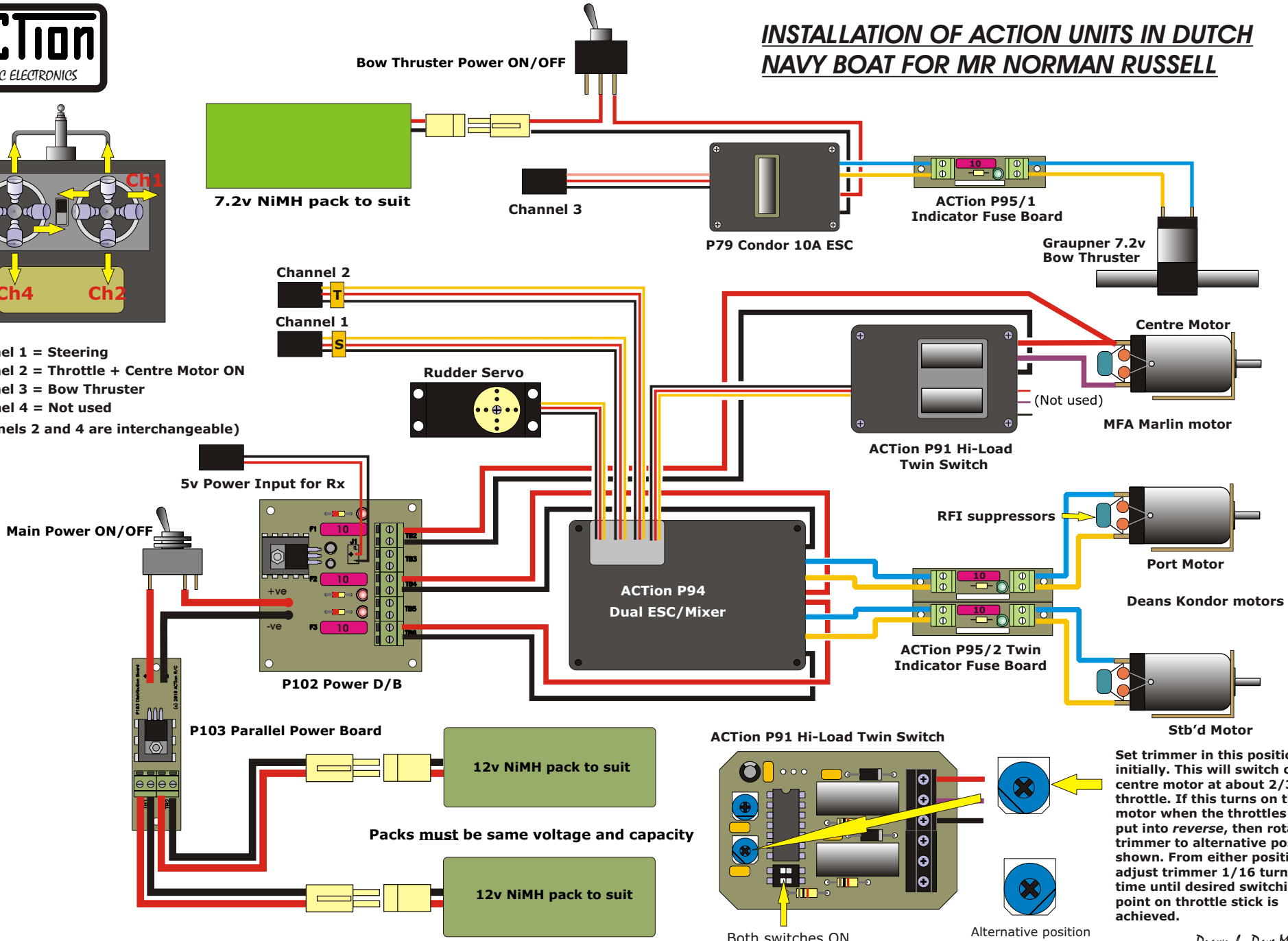




INSTALLATION OF ACTION UNITS IN DUTCH NAVY BOAT FOR MR NORMAN RUSSELL



Channel 1 = Steering
 Channel 2 = Throttle + Centre Motor ON
 Channel 3 = Bow Thruster
 Channel 4 = Not used
 (Channels 2 and 4 are interchangeable)



Set trimmer in this position initially. This will switch on centre motor at about 2/3 full throttle. If this turns on the motor when the throttles are put into reverse, then rotate trimmer to alternative position shown. From either position, adjust trimmer 1/16 turn at a time until desired switching point on throttle stick is achieved.