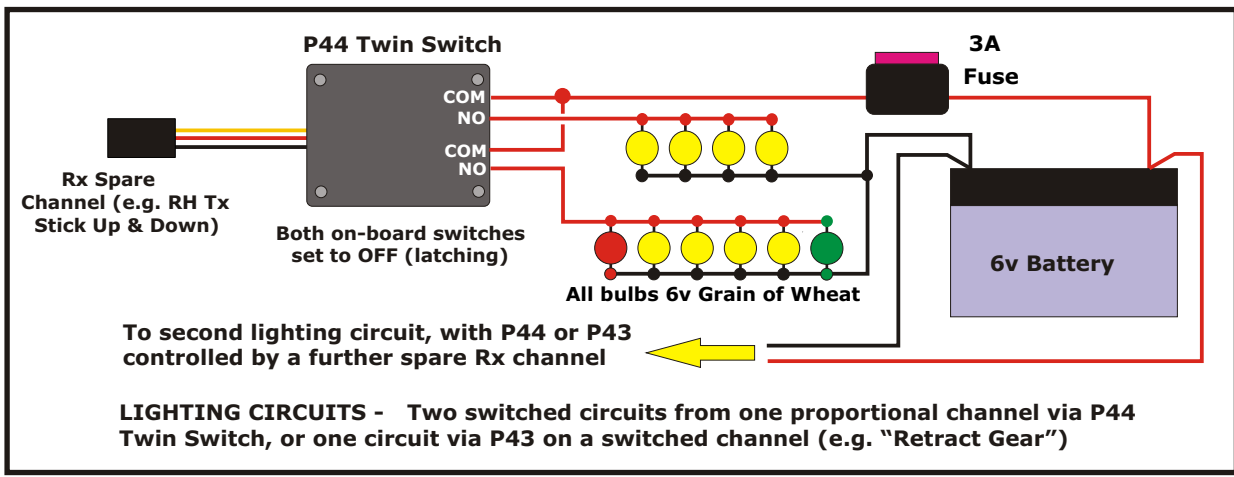
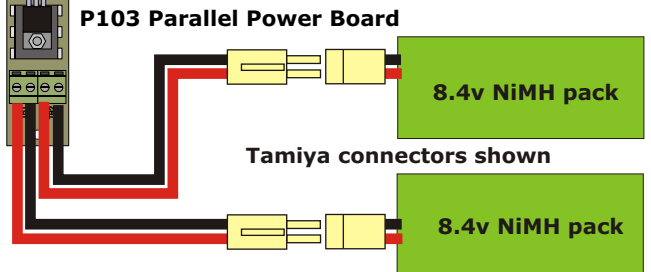
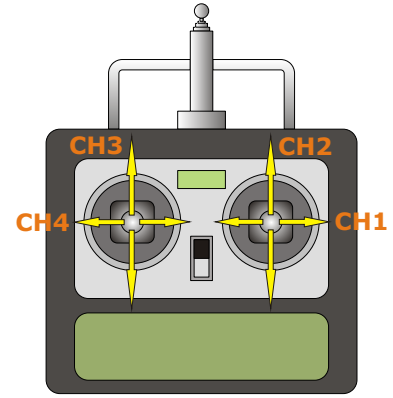
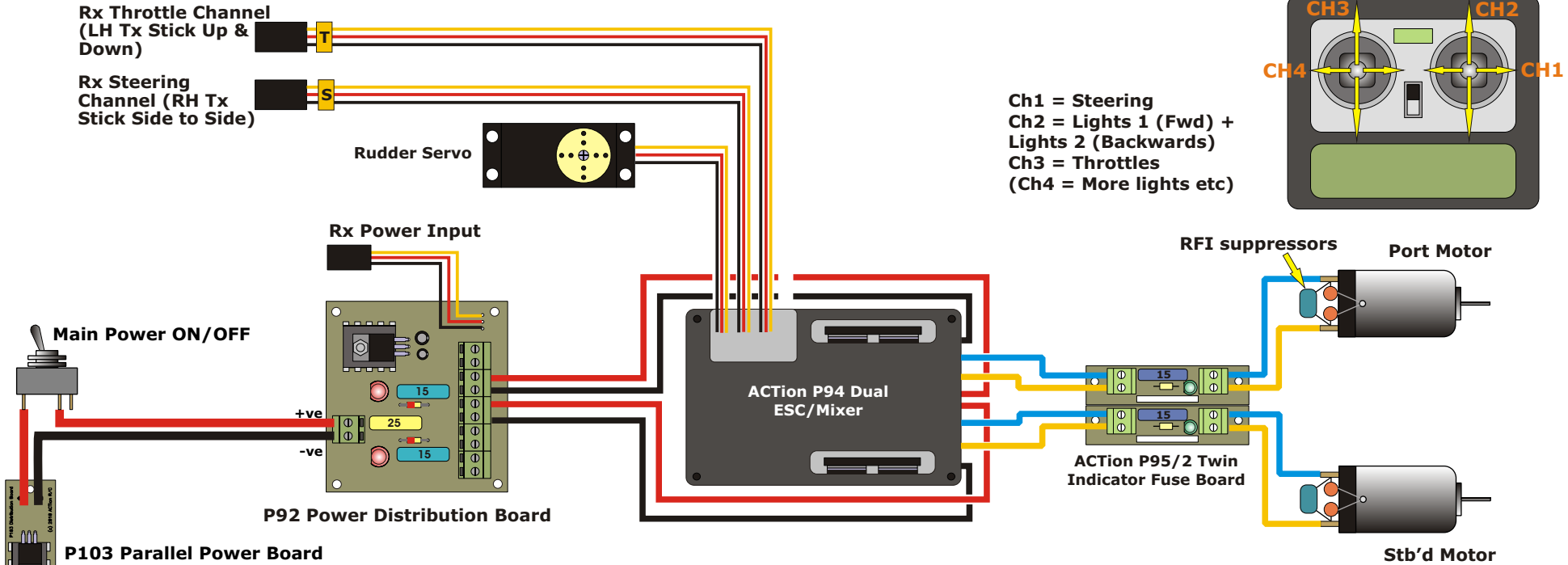


SUGGESTED INSTALLATION OF ACTION UNITS IN "DRUMBEAT OF DEVON" FOR MR PETER BAKER



19 Carisbrooke Drive
 Nottingham NG3 5DS
 United Kingdom
 +44(0)115 9607951
www.action-electronics.co.uk

Drawn by Dave Milbourn