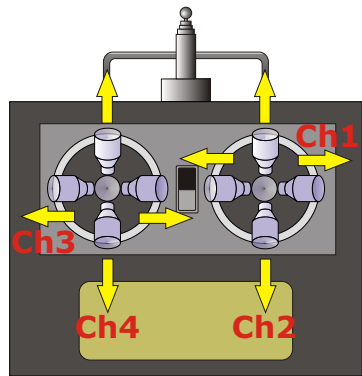
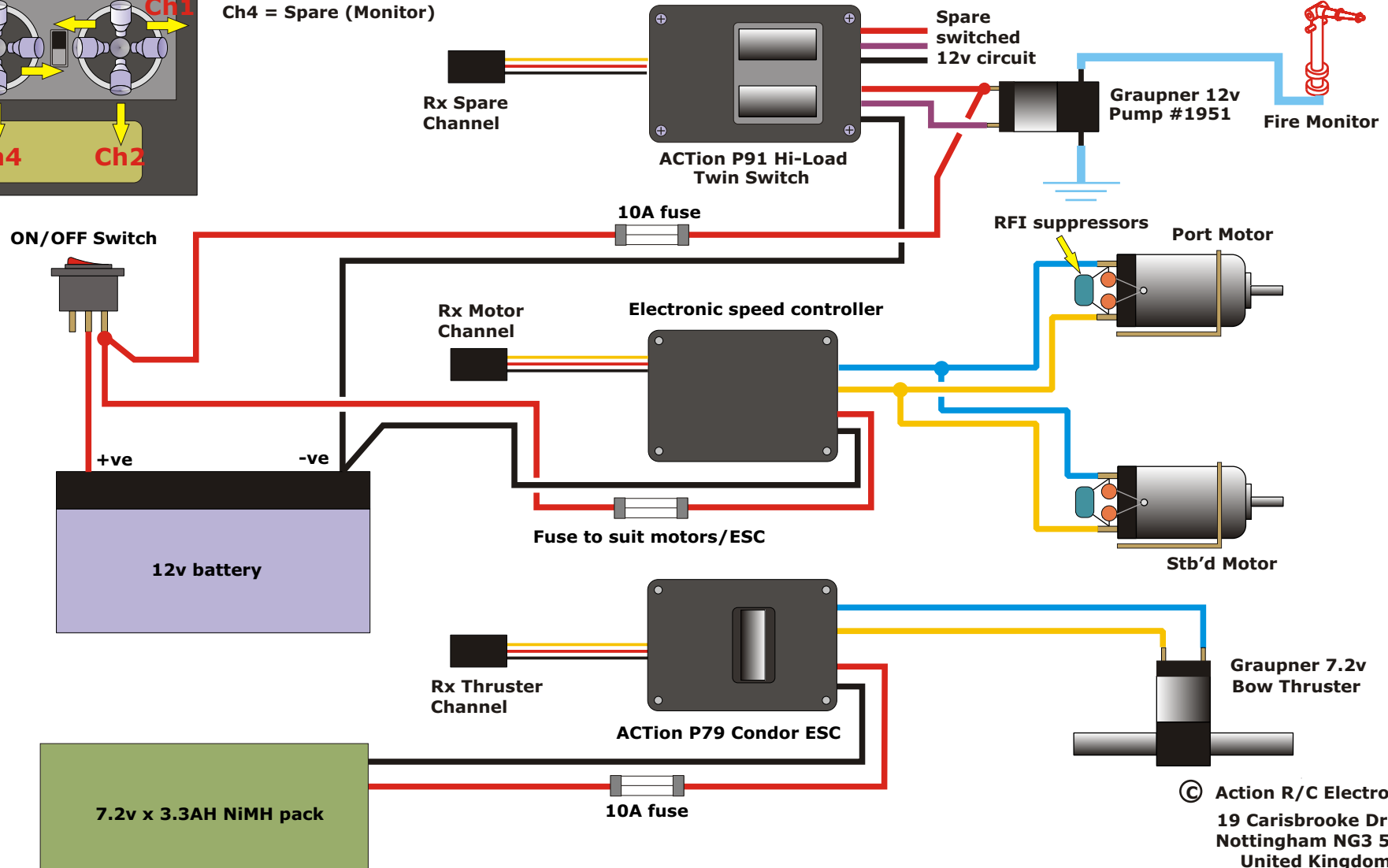


**SUGGESTED INSTALLATION OF ACTION UNITS IN TWIN-ENGINE MODEL FOR MR COLIN LAWS**



Ch1 = Steering  
 Ch2 = Motor  
 Ch3 = Bow Thruster  
 Ch4 = Spare (Monitor)



© Action R/C Electronics  
 19 Carisbrooke Drive  
 Nottingham NG3 5DS  
 United Kingdom  
 +44(0)115 9607951  
[www.action-electronics.co.uk](http://www.action-electronics.co.uk)