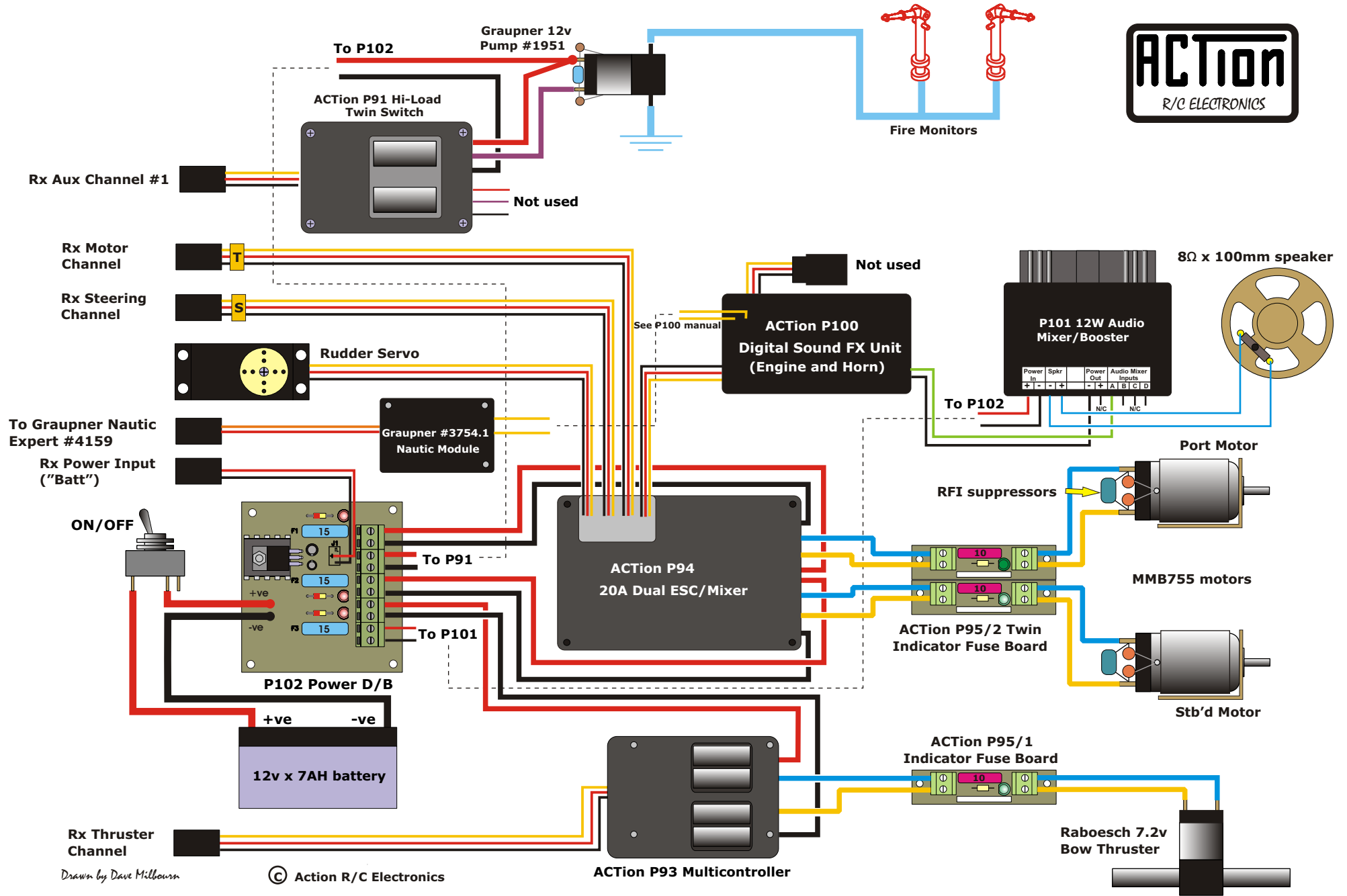


SUGGESTED INSTALLATION OF ACTION UNITS IN MODEL SLIPWAY "AZIZ" FOR MR ACHIM LAMPRECHT (Dwg #1)



Drawn by Dave Millbourn

© Action R/C Electronics

ACTION P93 Multicontroller